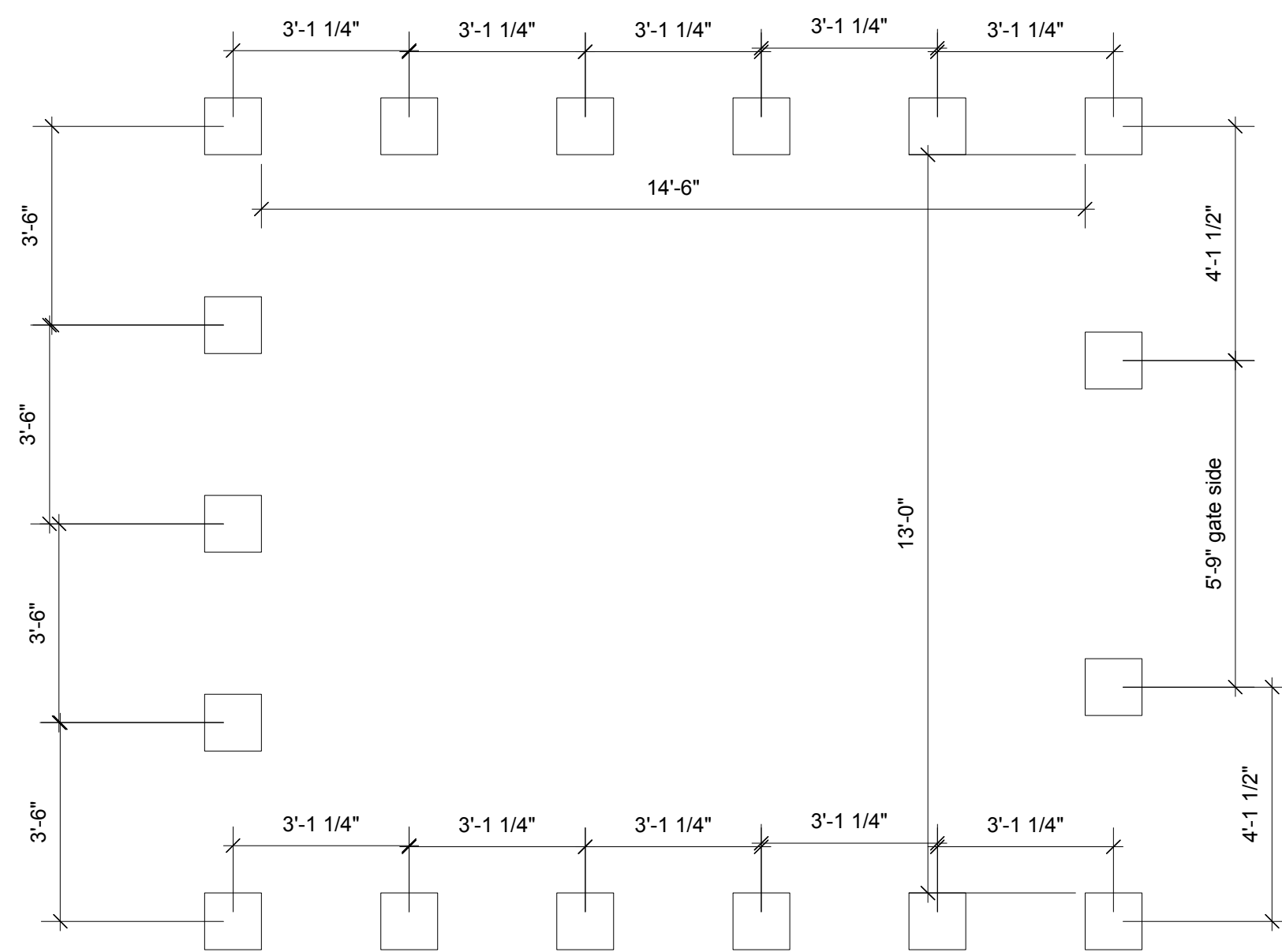
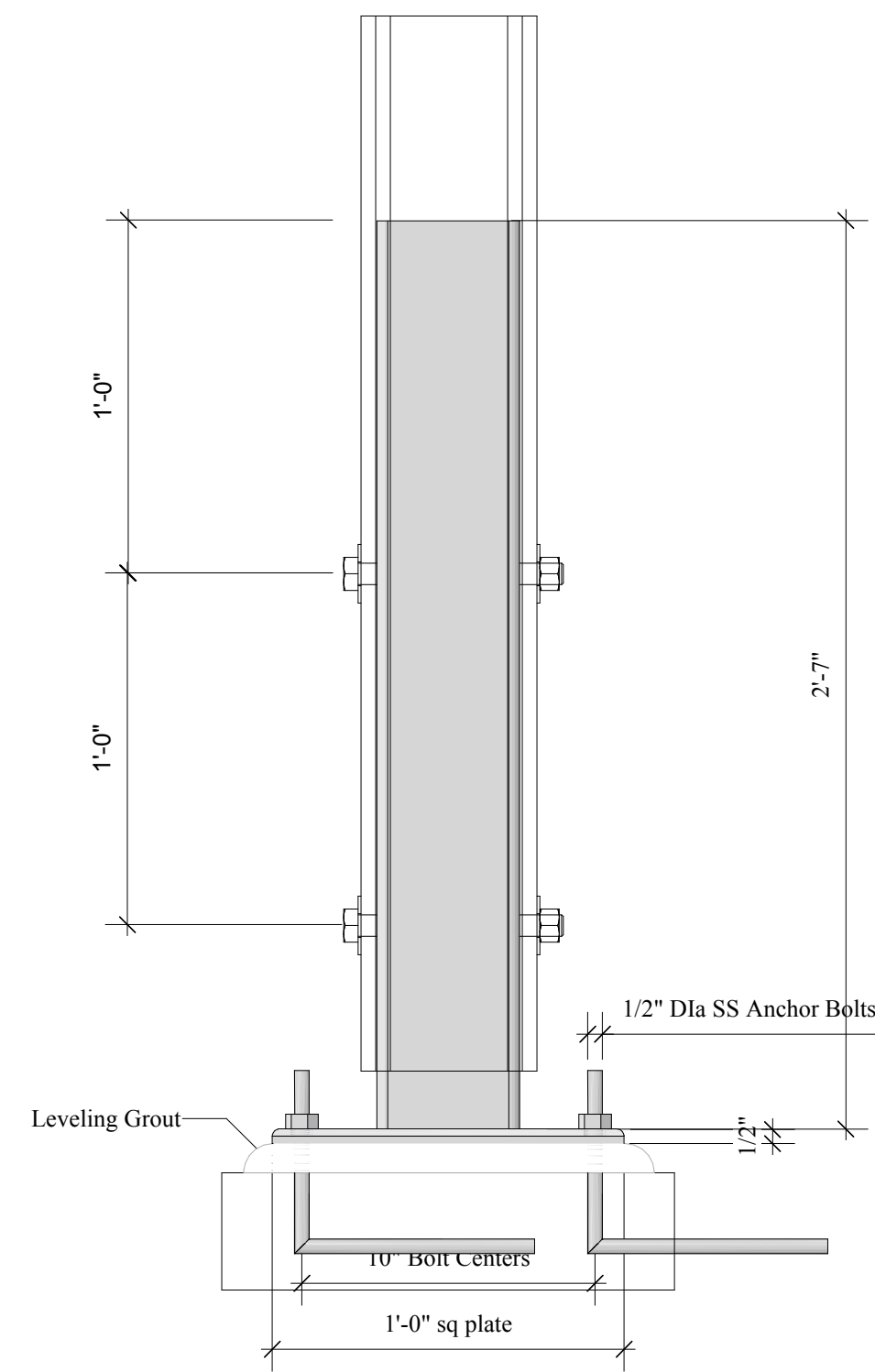


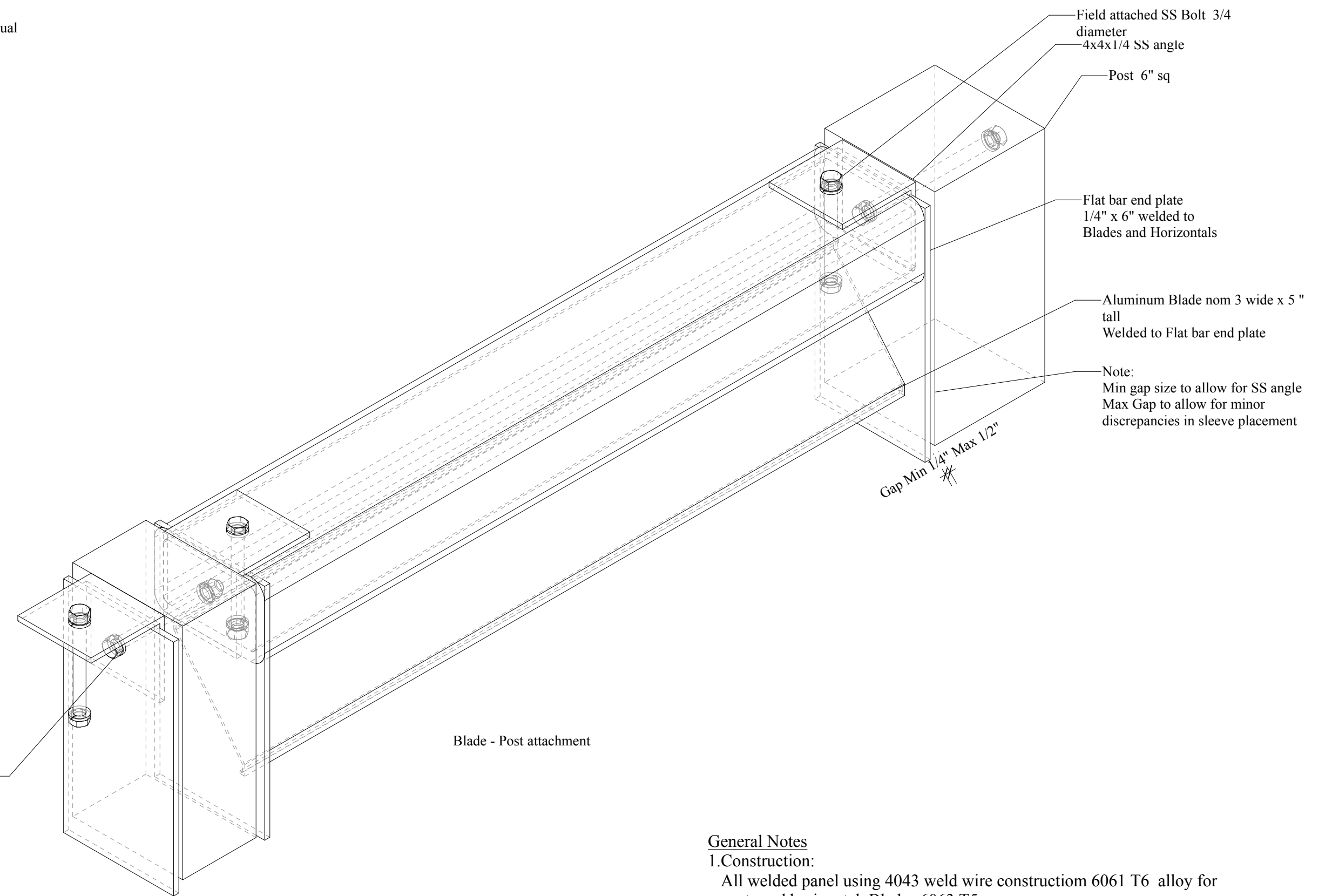
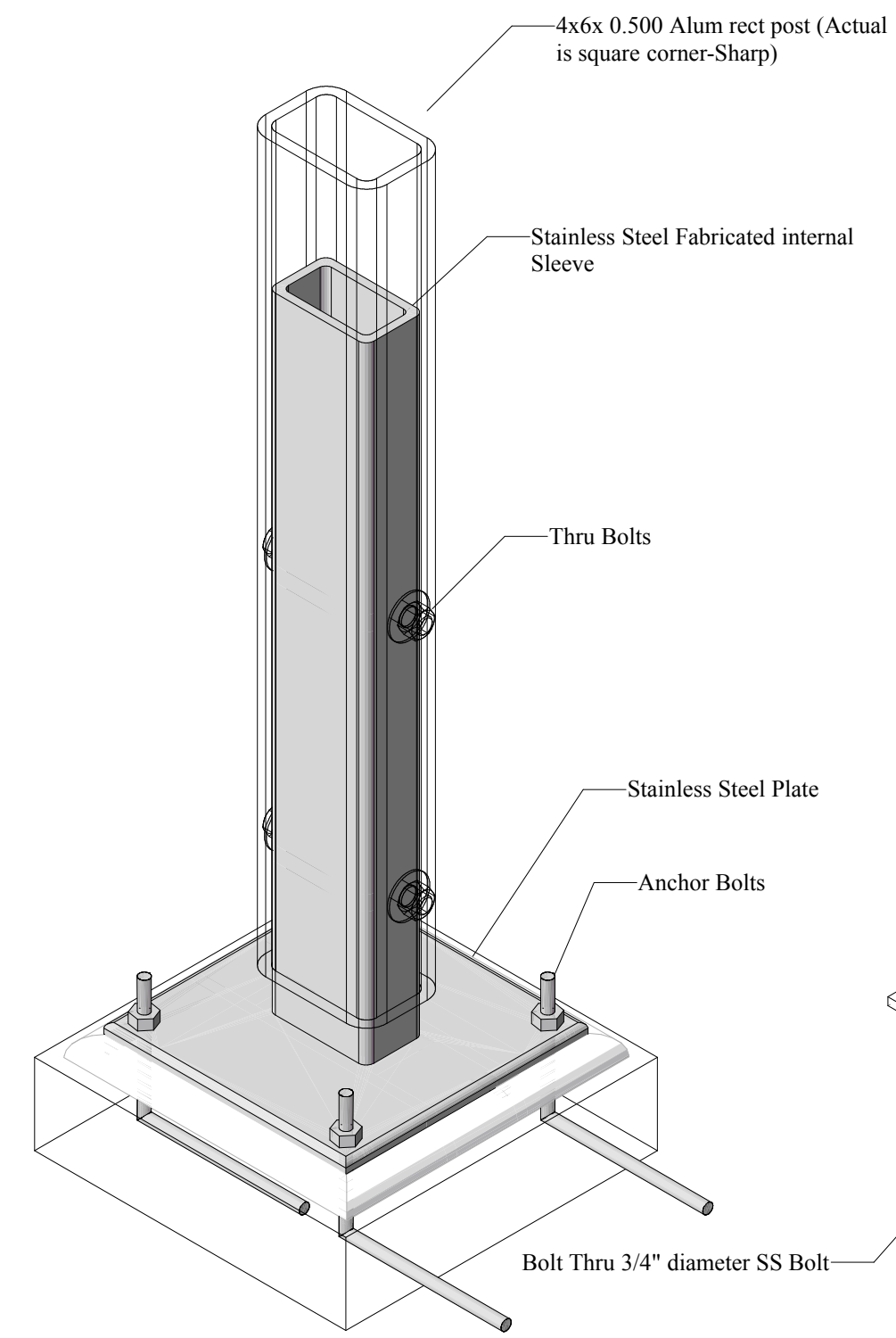
**Sleeve layout**  
Scale: 3/8" = 1'-0"



**Sleeve**  
Scale: 2" = 1'-0"

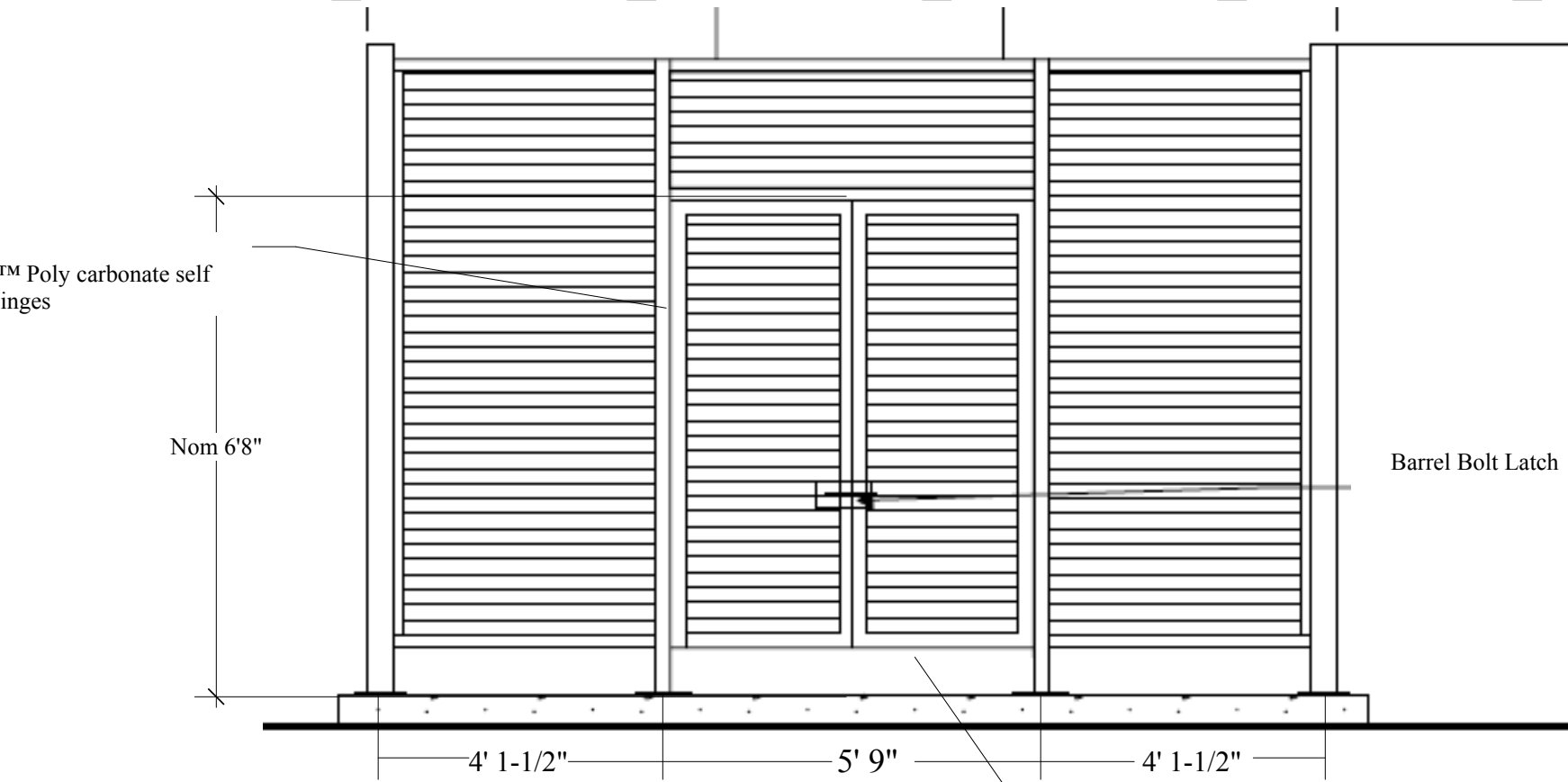
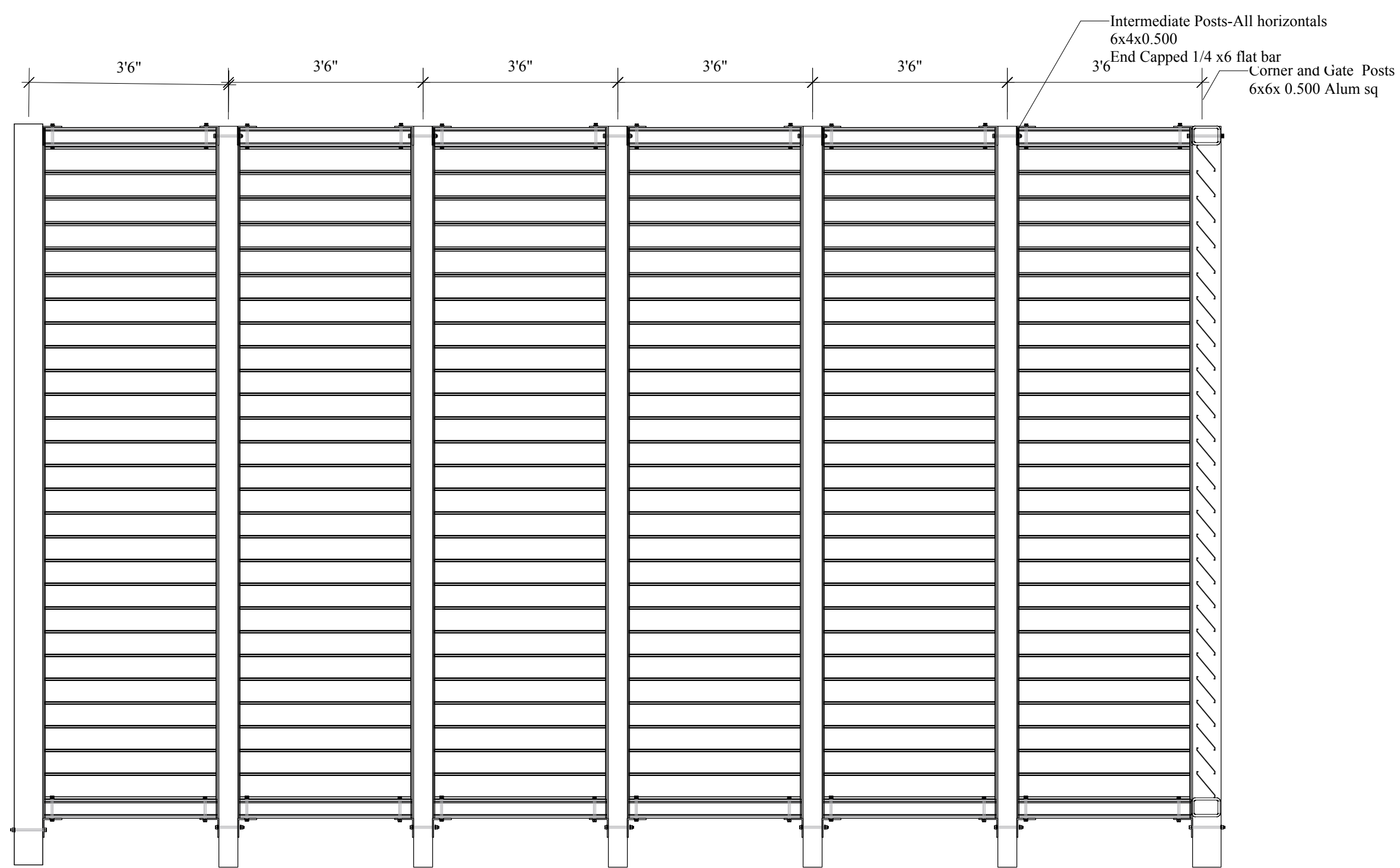


Sleeve Detail 4x6 shown  
6x6 sim.

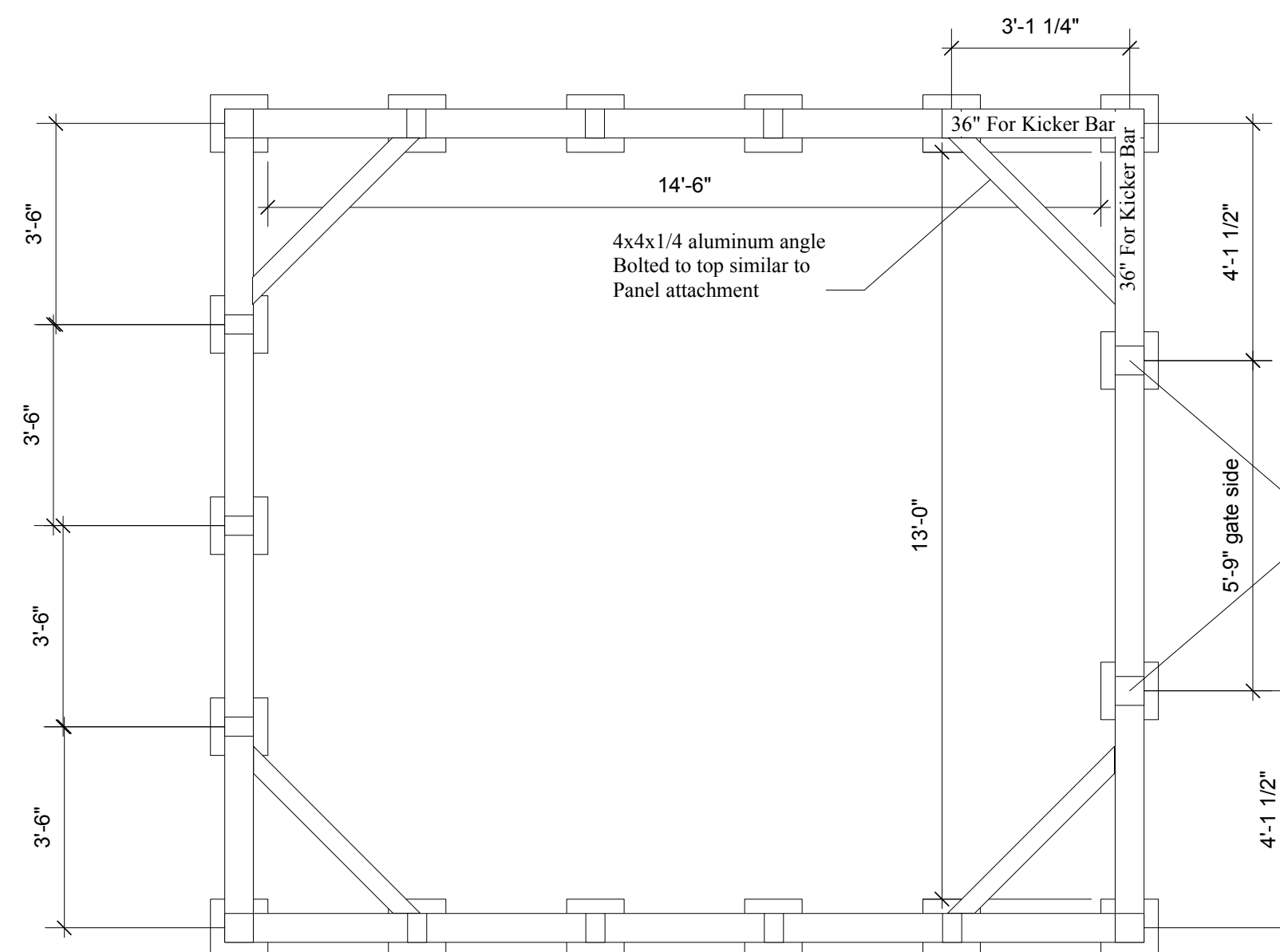


**General Notes**

1. Construction:  
All welded panel using 4043 weld wire construction 6061 T6 alloy for posts and horizontal. Blades 6063 T5  
All Fasteners Stainless Steel
2. Finish:  
Acid Cleaner (Oakite CrysCoat 2147)-Rinse - Gardolene D 6871 -TGIC Polyester Powder unless upgraded. After powdering, material will be protected with Plastic sheet applied to surface.
3. Fabrication :  
Will start after approved shop drawings and sleeves have been placed and field verified
4. Color:



NTS Gate Elevation detail



Manufactured by Hercules Custom Iron  
36 W Pennsylvania Ave Walkersville Md 21793  
301-845-0808  
Fax 301-845-0707



LOUVERED ENCLOSURE			
ALUMINUM ENCLOSURE		SHOP DRAWING	
DATE	DRAWN BY : JAMES BURGER	DIMENSION: AS NOTED	
	6/9/10		