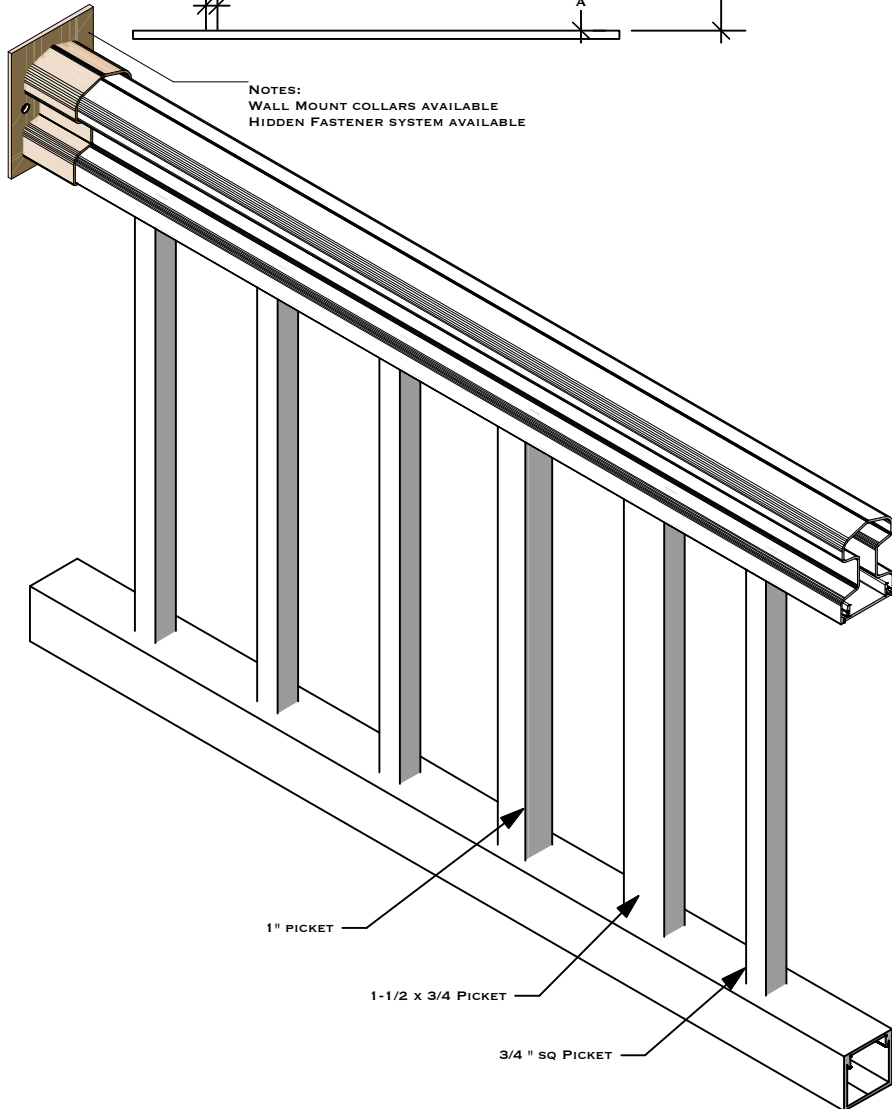


THIS IS A GRASPABLE HANDRAIL PER ADA/ICCODE PERIMETER LESS THAN 6.24" AND DIMENSION LESS THAN 2 - 1/4".

NOTES:
WALL MOUNT COLLARS AVAILABLE
HIDDEN FASTENER SYSTEM AVAILABLE



1

VIRGINIA
SCALE: ACTUAL SIZE

HERCULES HCI
CUSTOM IRON

Manufactured by Hercules Custom Iron
36 W Pennsylvania Ave
Walkersville Md 21793
Voice 301-845-0808
Fax 301-845-0707

Post:
Corner-Newel-Stair >2-1/2 sq
Inline Posts under > 1-3/4 sq